



MODEL CAL1200

PRECISION ACOUSTIC CALIBRATOR

- Output level: 94 dB or 114 dB
- Output frequency: 1000 Hz
- ½" microphones natively supported
- Optional adapters for ⅛", ¼", and ⅜" microphones
- Meets IEC 60942:2017 and ANSI S1.40-2006 Class 1 requirements
- Includes rechargeable lithium battery

TYPICAL APPLICATIONS

Field or laboratory calibration of:

- Class 1 and 2 Sound level meters
- Precision microphones

IEC 60942 CLASS 1 CALIBRATOR

Larson Davis Acoustic Calibrator Model CAL1200 is a battery-operated precision microphone calibrator used for the calibration of sound level meters and other sound measurement equipment with ½" and smaller microphones. CAL1200 provides an output level of either 94 dB or 114 dB at 1000 Hz.

The CAL1200 is well suited for accurate, Class 1 calibration of precision, class 1 instruments and can also be used to calibrate class 2 instruments.

In support of sustainable practices, the CAL1200 includes a user replaceable lithium battery rechargeable by USB. Designed with an integrated reference microphone, the CAL1200 produces an accurate output in varied operating conditions.

In addition to offering precision acoustic calibrators for field calibration of sound measurement equipment, Larson Davis offers factory calibration services for our products through the CAL+ program. CAL+ service includes a complete multi-point factory test, free firmware upgrade to the latest version where applicable, labor warranty extended for one year^[1], worn consumables replaced at no charge^[2], and more. Contact us for details.

[1] Requires regular annual factory calibration. Limited to seven (7) years

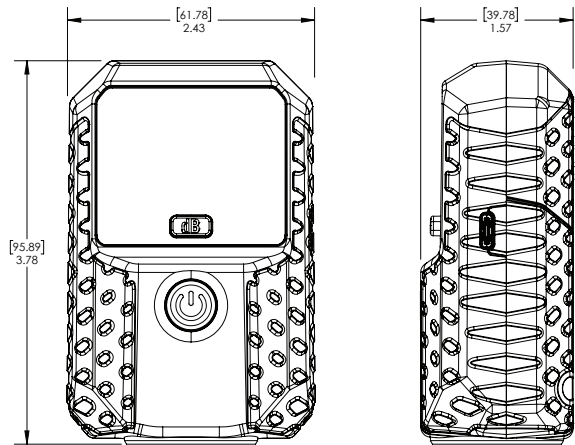
[2] Windscreen, O-rings, desiccants, fuses, for example

Preliminary

SPECIFICATIONS	
Frequency	1000 Hz \pm 1 Hz
Calibration Sound Pressure Level	94.0 dB or 114.0 dB \pm 0.2 dB
Minimum Stabilizing Time	10 s after coupling microphone and calibrator
Environmental	
Temperature Range	14 °F to 122 °F (-10 °C to 50 °C)
Static Pressure Range	650 hPa to 1080 hPa
Humidity Range	10% to 90% RH non-condensing
Storage Temperature	-40 °F to 140 °F (-40 °C to 60 °C)
Physical	
Dimensions (L x W x H)	3.85 x 2.43 x 1.57 in (98 x 62 x 40 mm)
Weight	5.5 oz (156 g)
Charging Connector	USB-C
Power Supply	
Replacement Lithium Battery	BAT027
Operating Time	15 hours (typical)
Charge Time	3.5 hours (typical)
Minimum USB Supply Current	500 mA
Compliance	
Safety	IEC 61010-1:2017
Acoustic	ANSI S1.40-2006, Class 1 IEC 60942:2017, Class 1
EMC	Directive 2014/30/EU
CE	Yes
ROHS	Directive (EU) 2023/1437
Supplied Accessories	
CBL242-03	USB charging cable (USB-C to USB-C) with included USB-C to USB-A adaptor
Optional Accessories	
ADP109	¼" microphone adaptor
ADP031	⅜" microphone adaptor
ADP075	½" microphone adaptor
CCS064	Transportation and storage case



CAL1200 Back



CAL1200 Dimensions



3425 Walden Avenue, Depew, NY 14043 USA

larsondavis.com | sales@larsondavis.com | 888 258 3222 | +1 716 926 8243

© 2025 PCB Piezotronics - all rights reserved. PCB Piezotronics is a wholly-owned subsidiary of Amphenol Corporation. Endevco is an assumed name of PCB Piezotronics of North Carolina, Inc., which is a wholly-owned subsidiary of PCB Piezotronics, Inc. Accumetrics, Inc. and The Modal Shop, Inc. are wholly-owned subsidiaries of PCB Piezotronics, Inc. IMI Sensors and Larson Davis are Divisions of PCB Piezotronics, Inc. Except for any third party marks for which attribution is provided herein, the company names and product names used in this document may be the registered trademarks or unregistered trademarks of PCB Piezotronics, Inc., PCB Piezotronics of North Carolina, Inc. (d/b/a Endevco), The Modal Shop, Inc. or Accumetrics, Inc. Detailed trademark ownership information is available at www.pcb.com/trademarkownership. In the interest of constant product improvement, specifications are subject to change without notice.

DS-0282 revNR 0225